

Broil King®



Broil King
CROWN 410
8659-52
8659-53

Broil King
CROWN 410
8650-52
8650-53
CROWN 410 R
8650-53R



Broil King
CROWN 430
8659-62
8659-63



Broil King
CROWN 430
8650-62
8650-63
CROWN 430 R
8650-63R



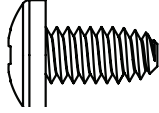
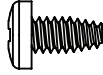
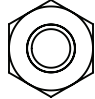
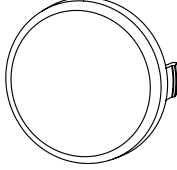
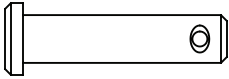
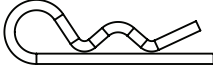
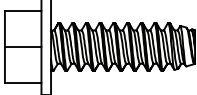

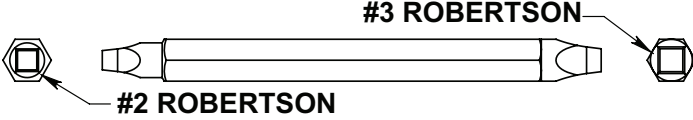

Broil King
CROWN 480
8659-82
8659-83



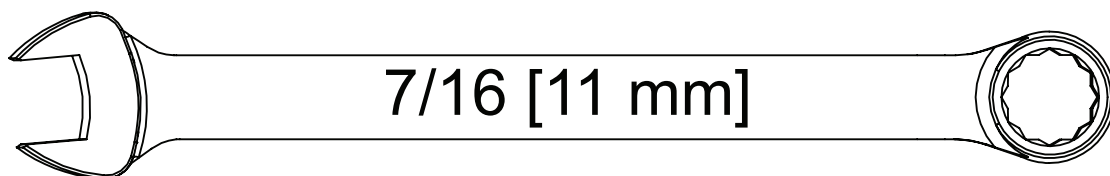
Broil King
CROWN 480
8650-82
8650-83



HARDWARE INCLUDED / MATERIAL INCLUS / EQUIPOS INCLUIDO

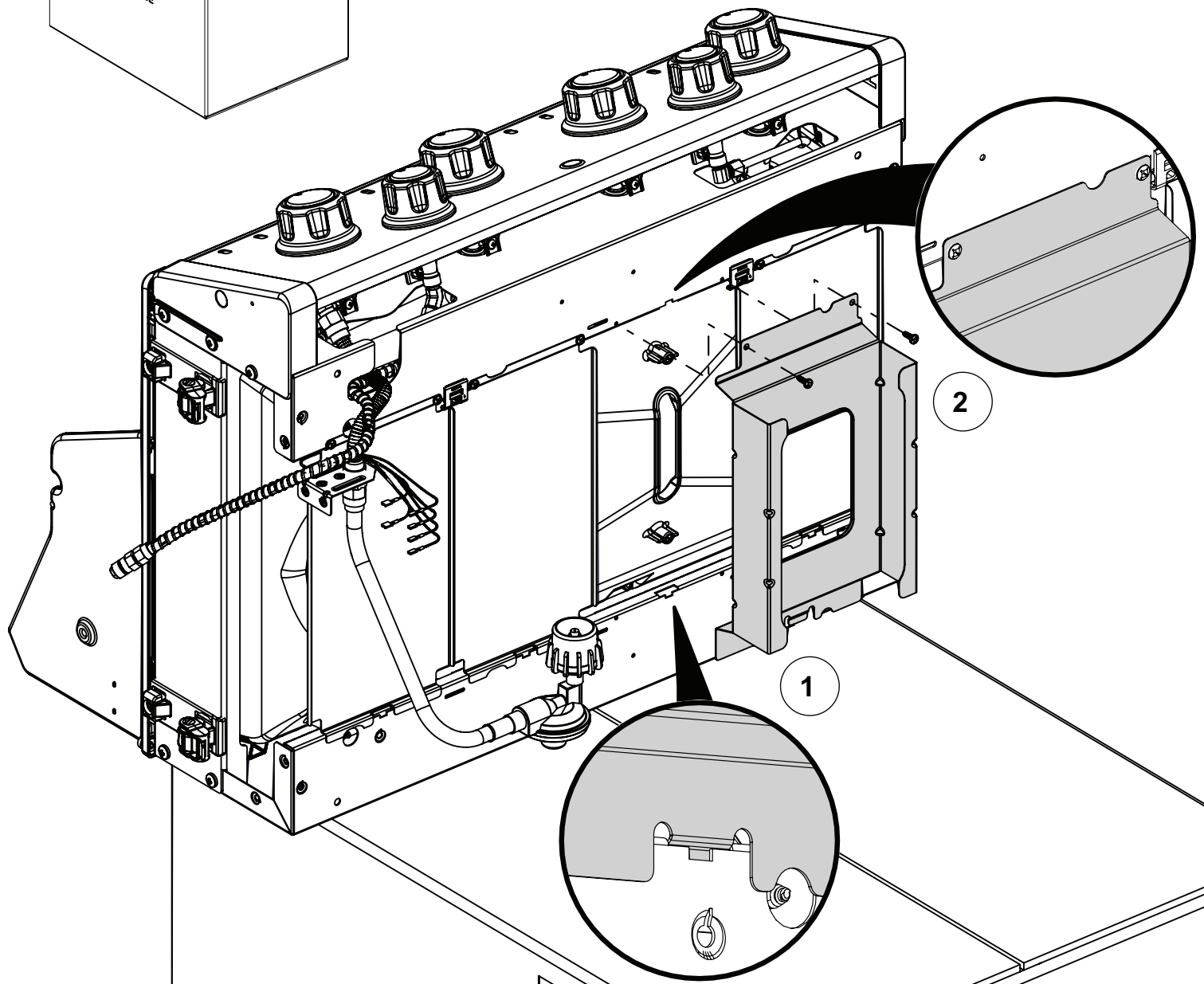
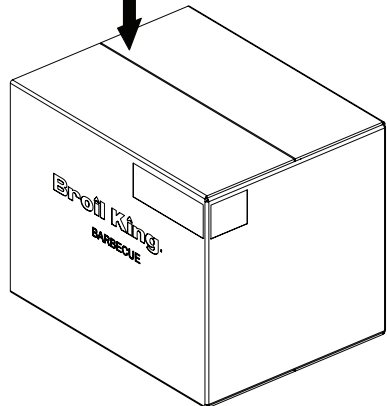
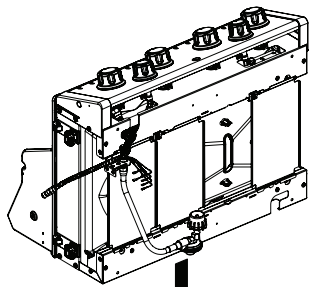
Y-12865		(12)	Y-29304		(6)
Y-11793		(4)	32001-151		(4)
S21235		(2)	S21233		(2)
S21088		(8)	S21125		(2)
 <p>#3 ROBERTSON</p> <p>#2 ROBERTSON</p>					
20005-000					(1)

TOOLS REQUIRED / OUTILS NECESSAIRES / HERRAMIENTAS NECESARIAS

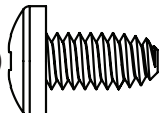


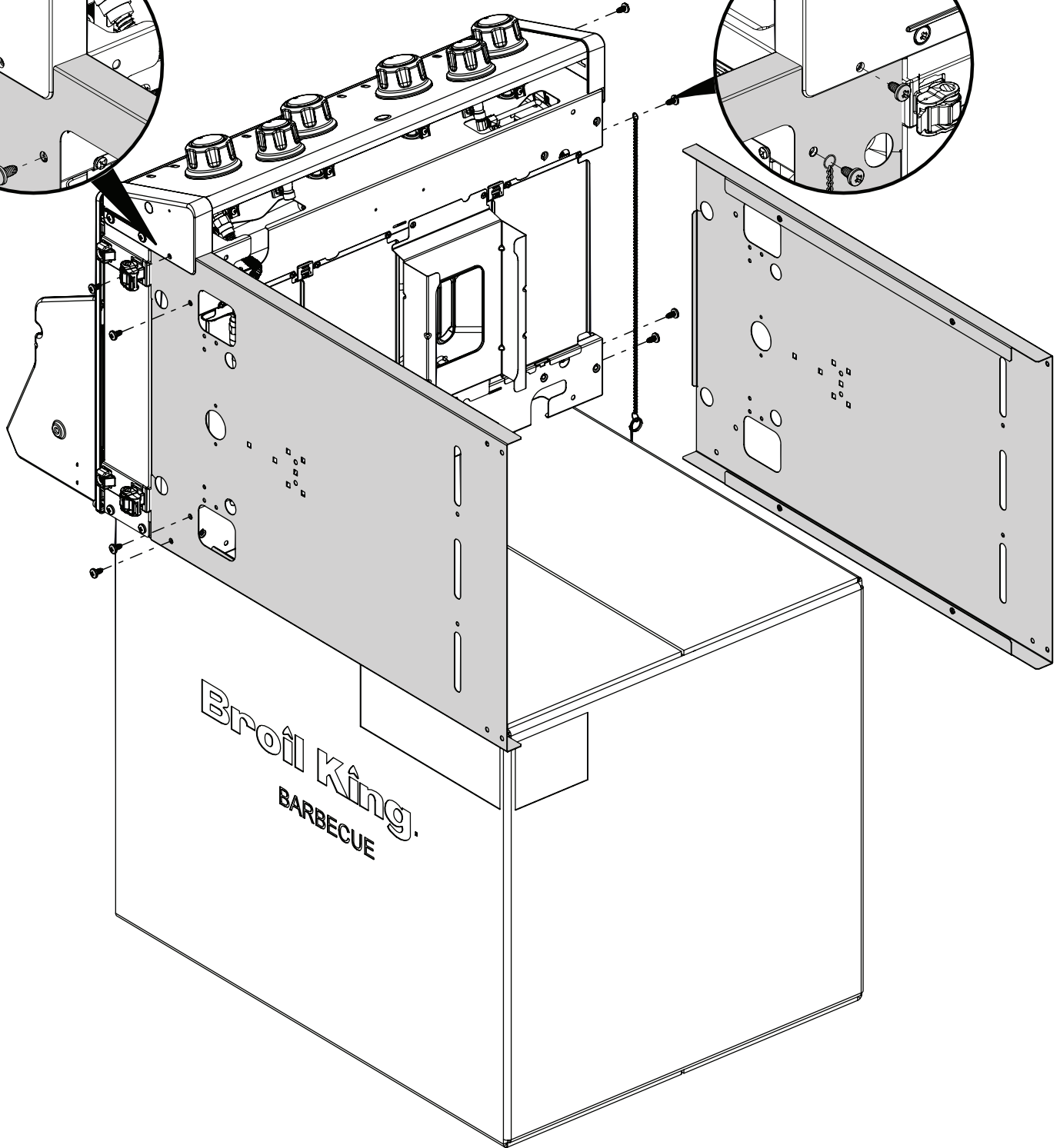
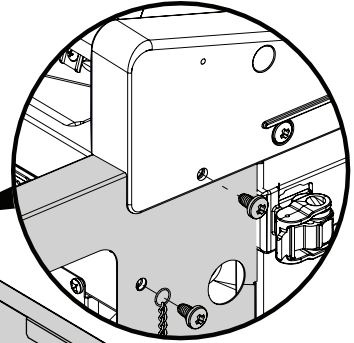
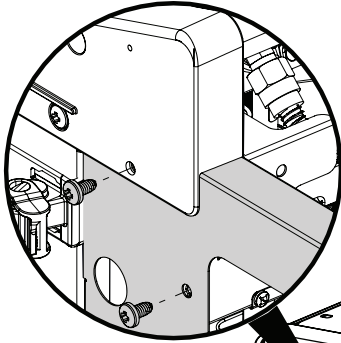
1

(2) 

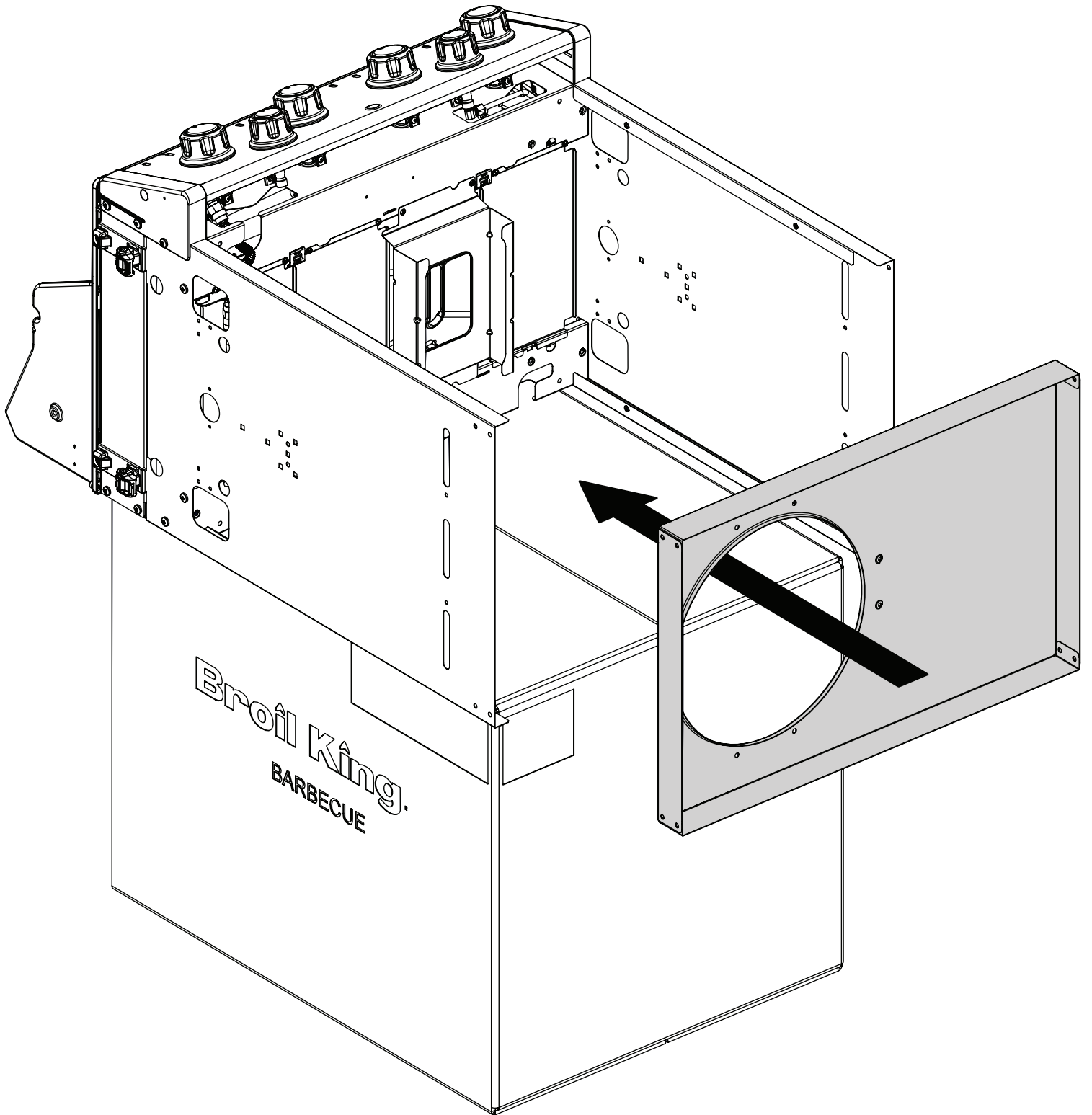


2

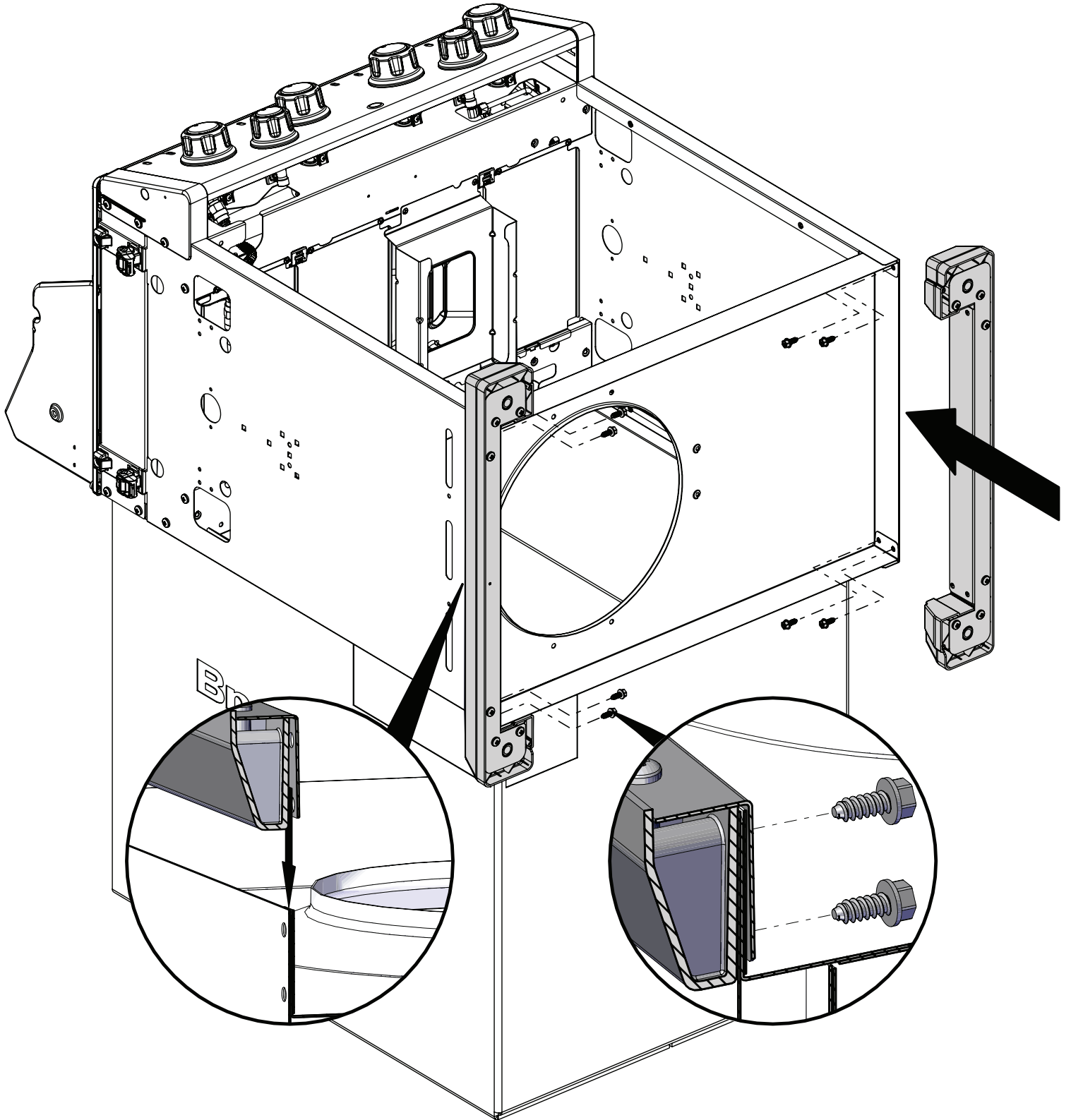
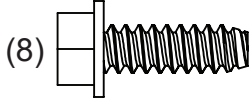
(8)  (1)




3

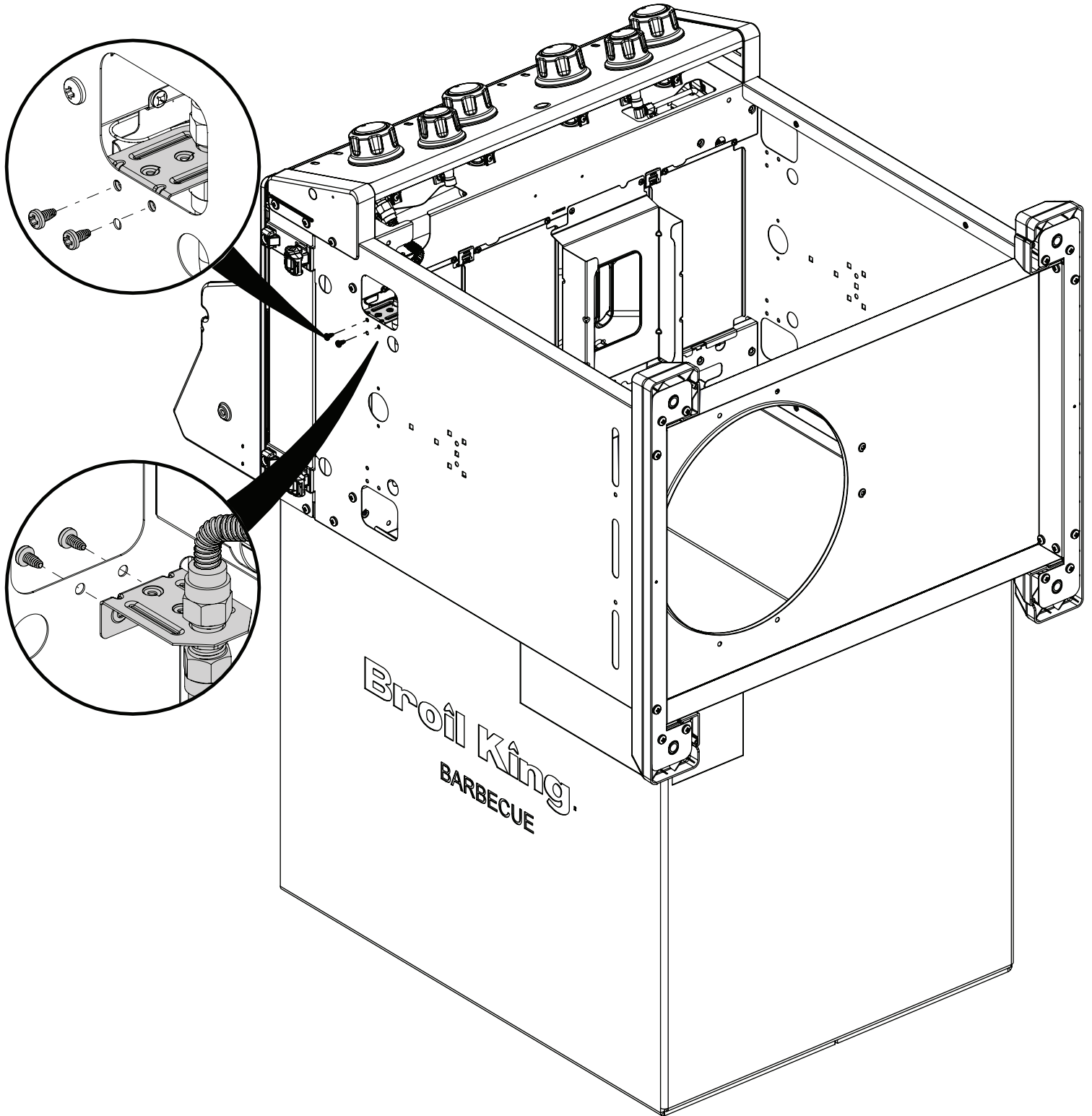


4

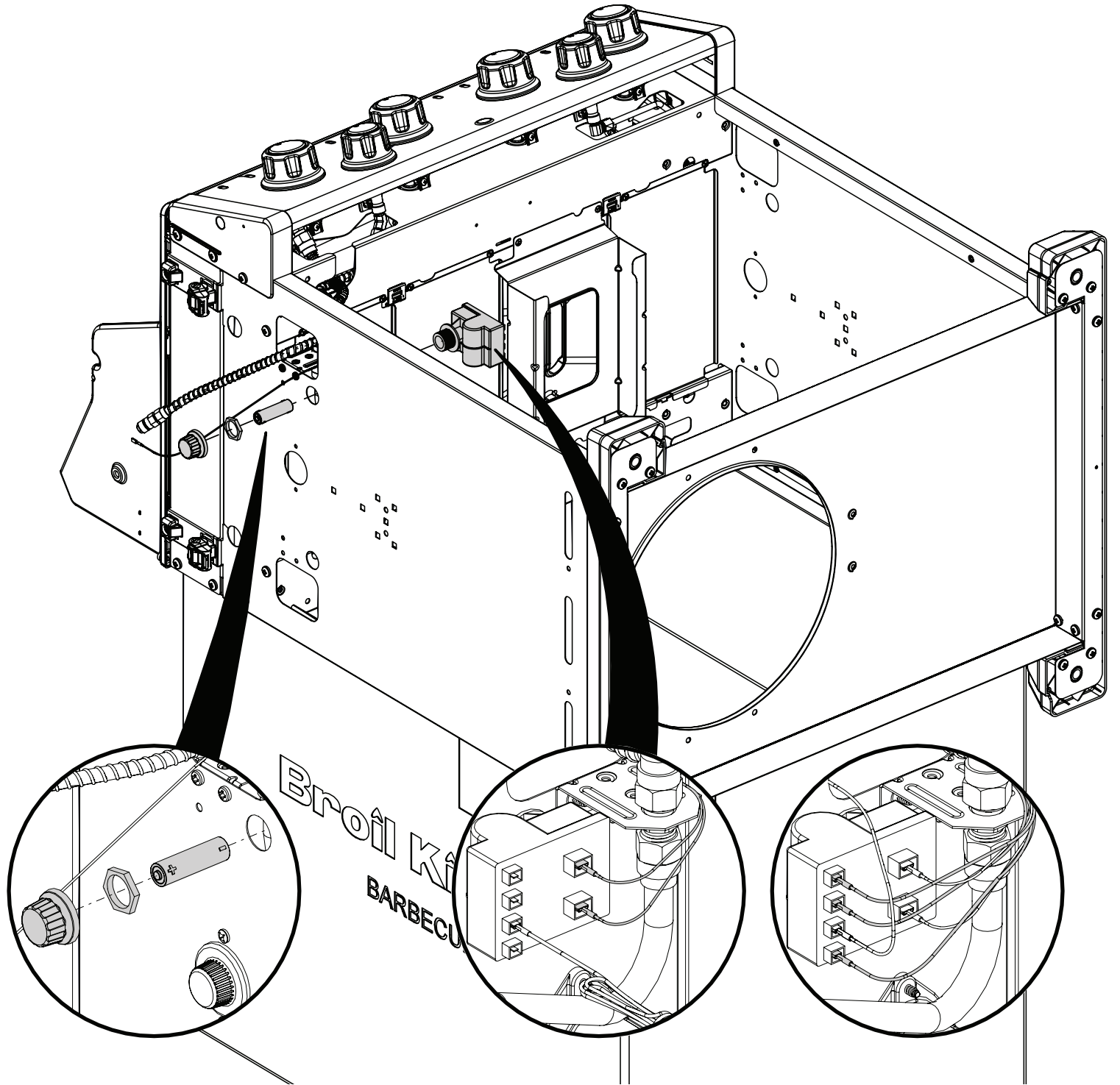
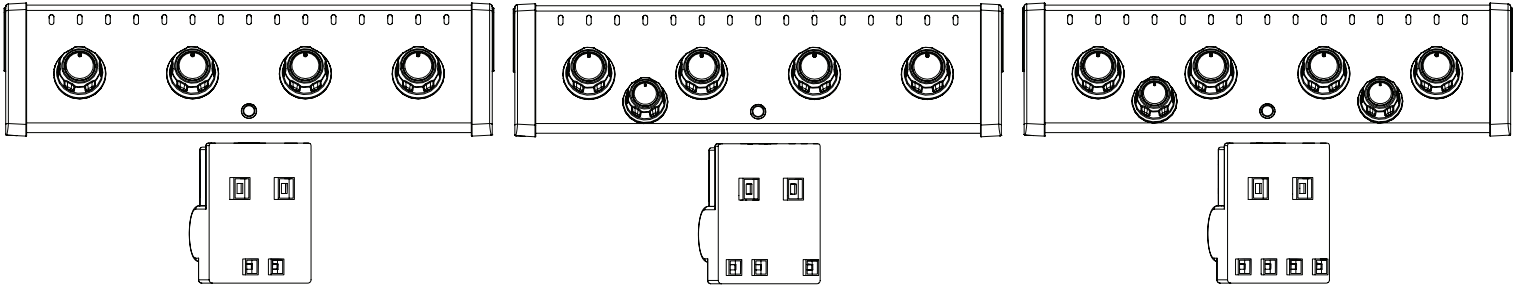


5

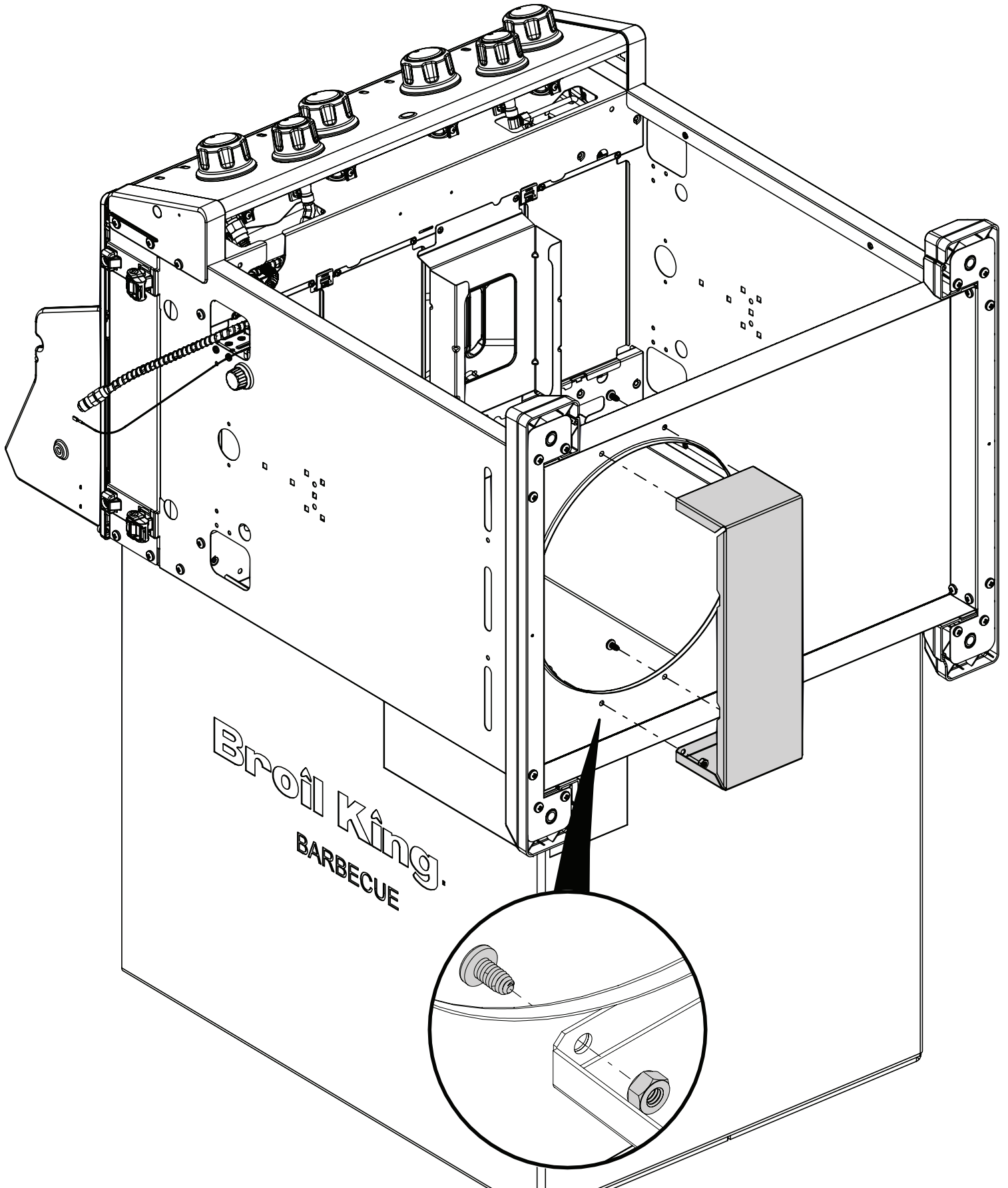
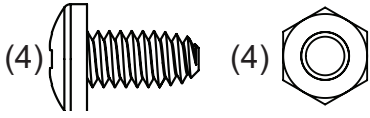
(2) 



6

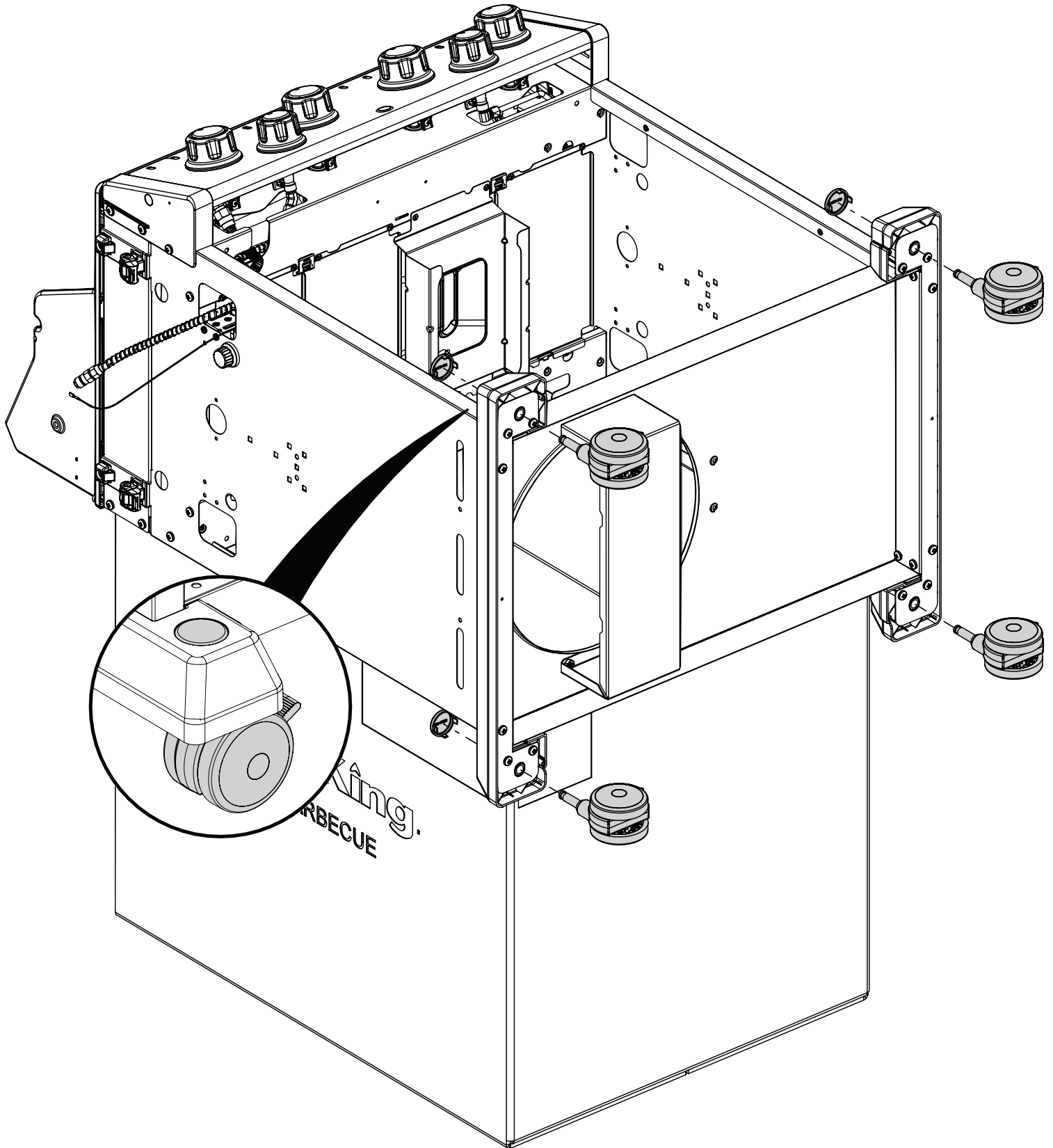
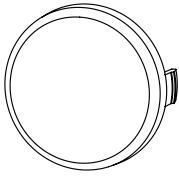


7

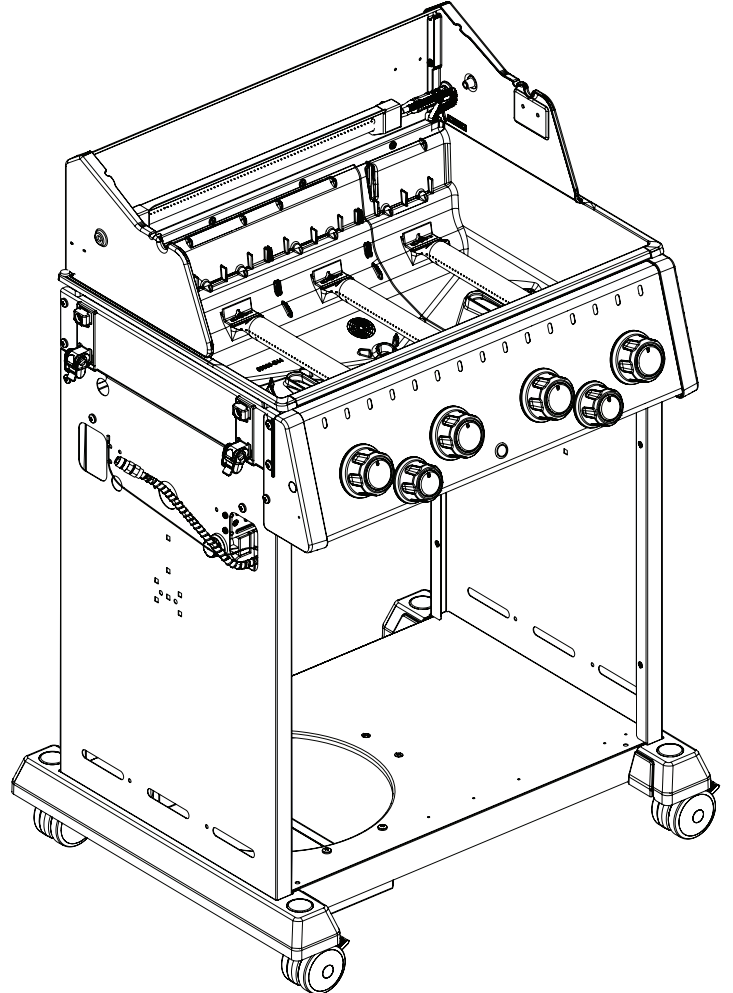
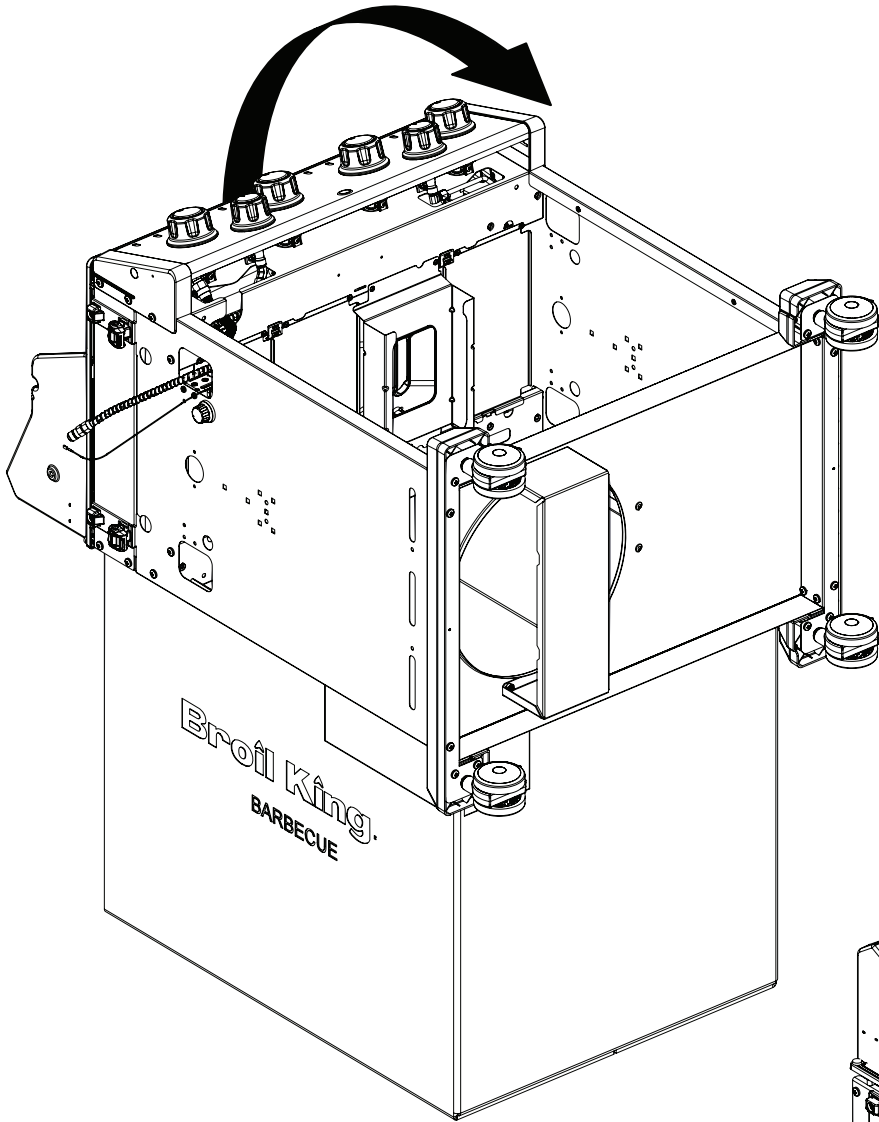


8

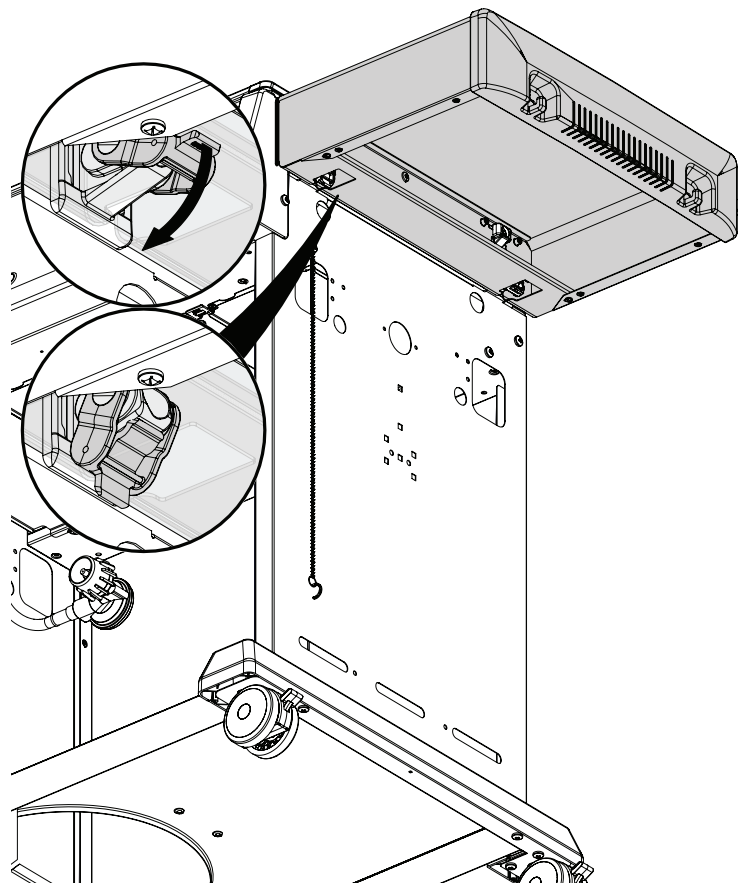
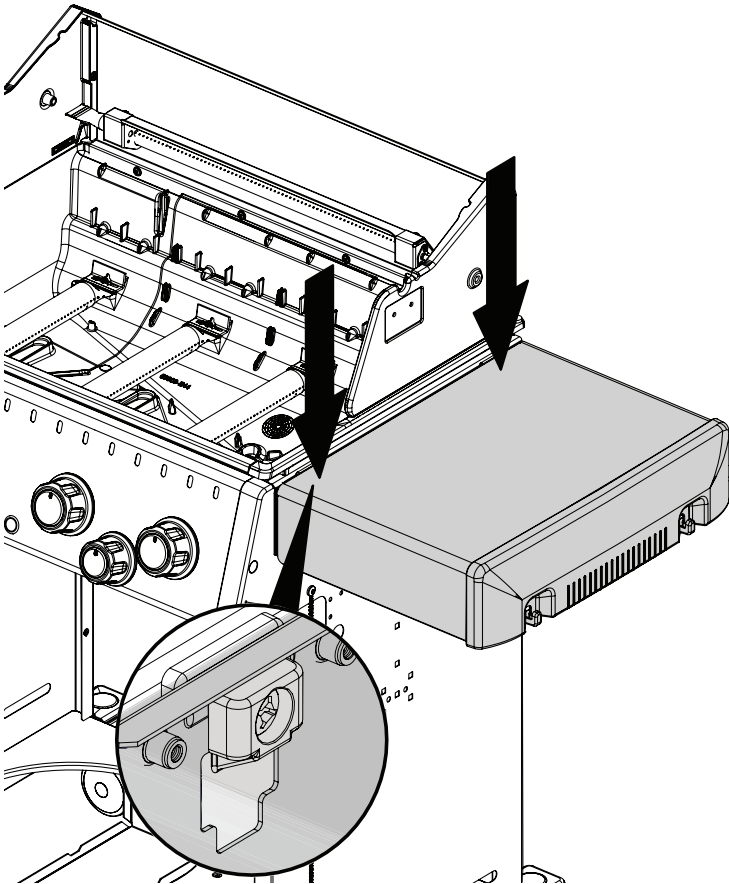
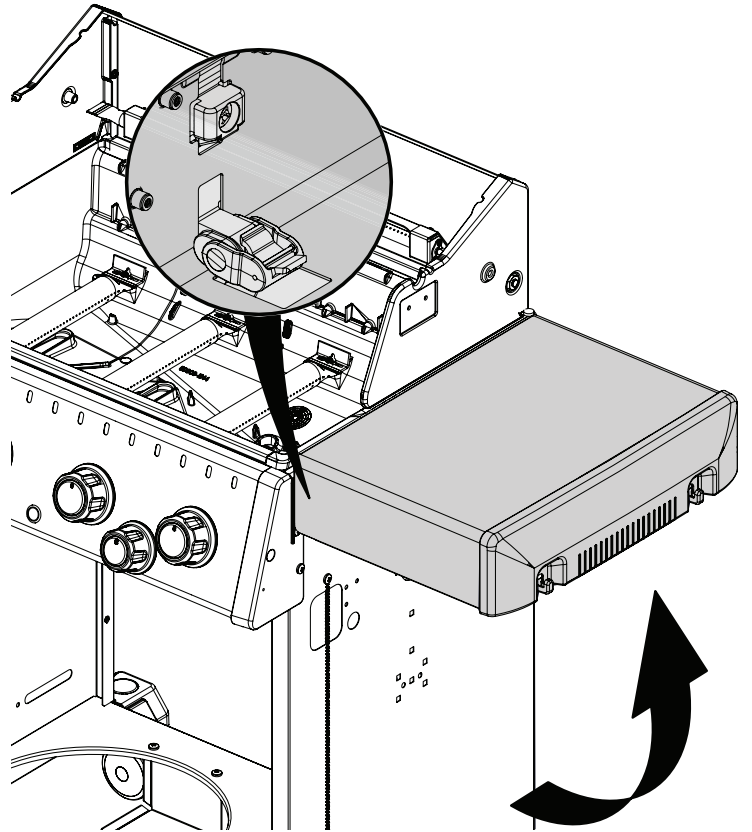
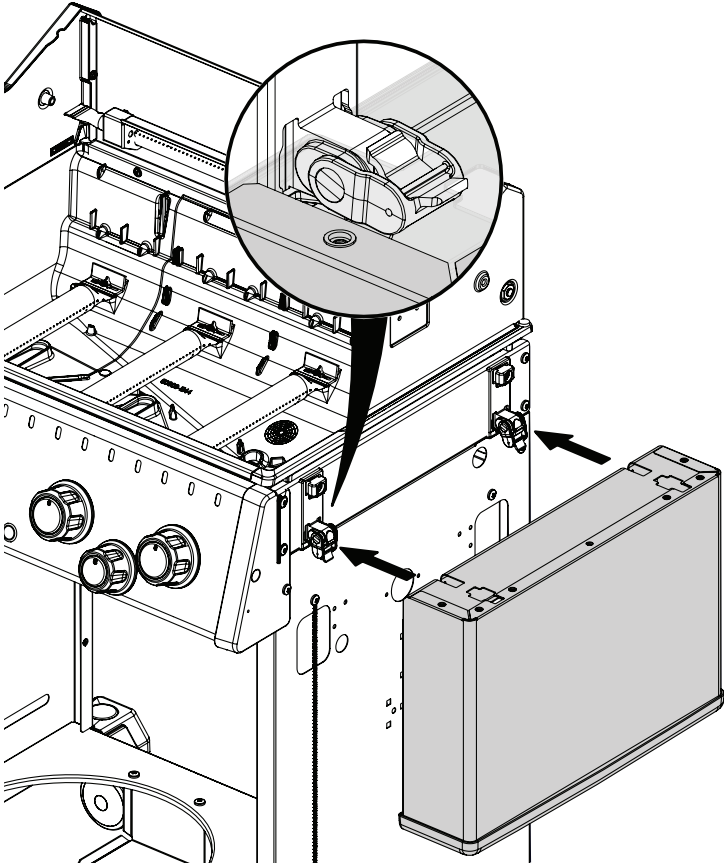
(4)



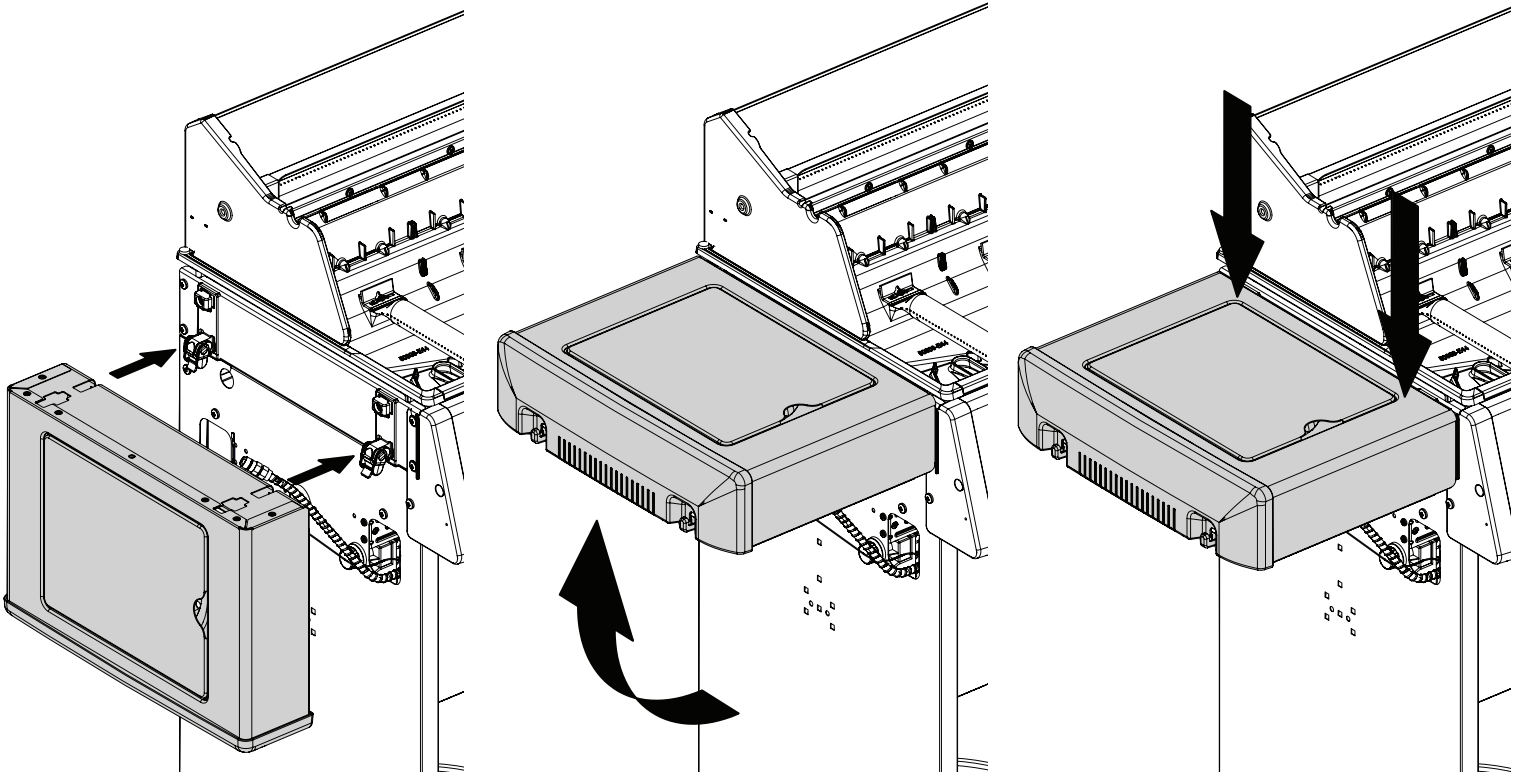
9



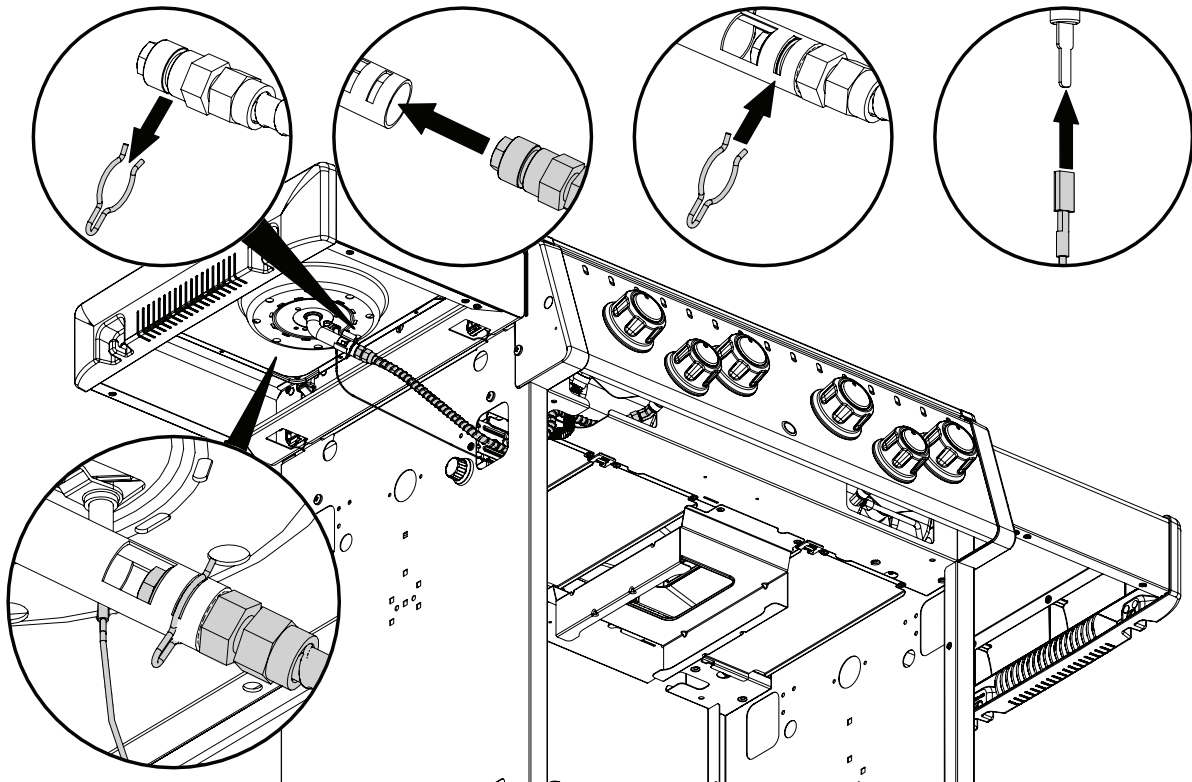
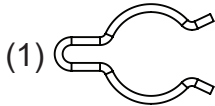
10



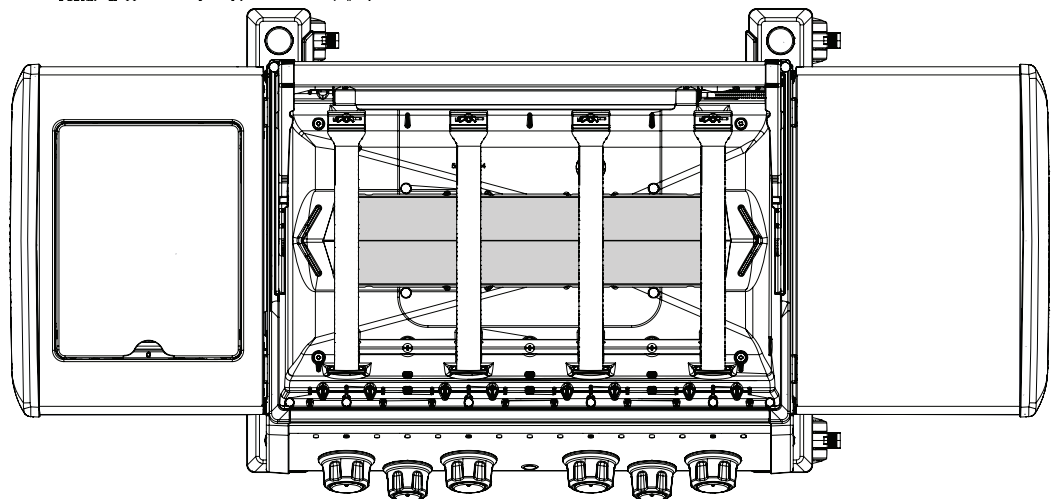
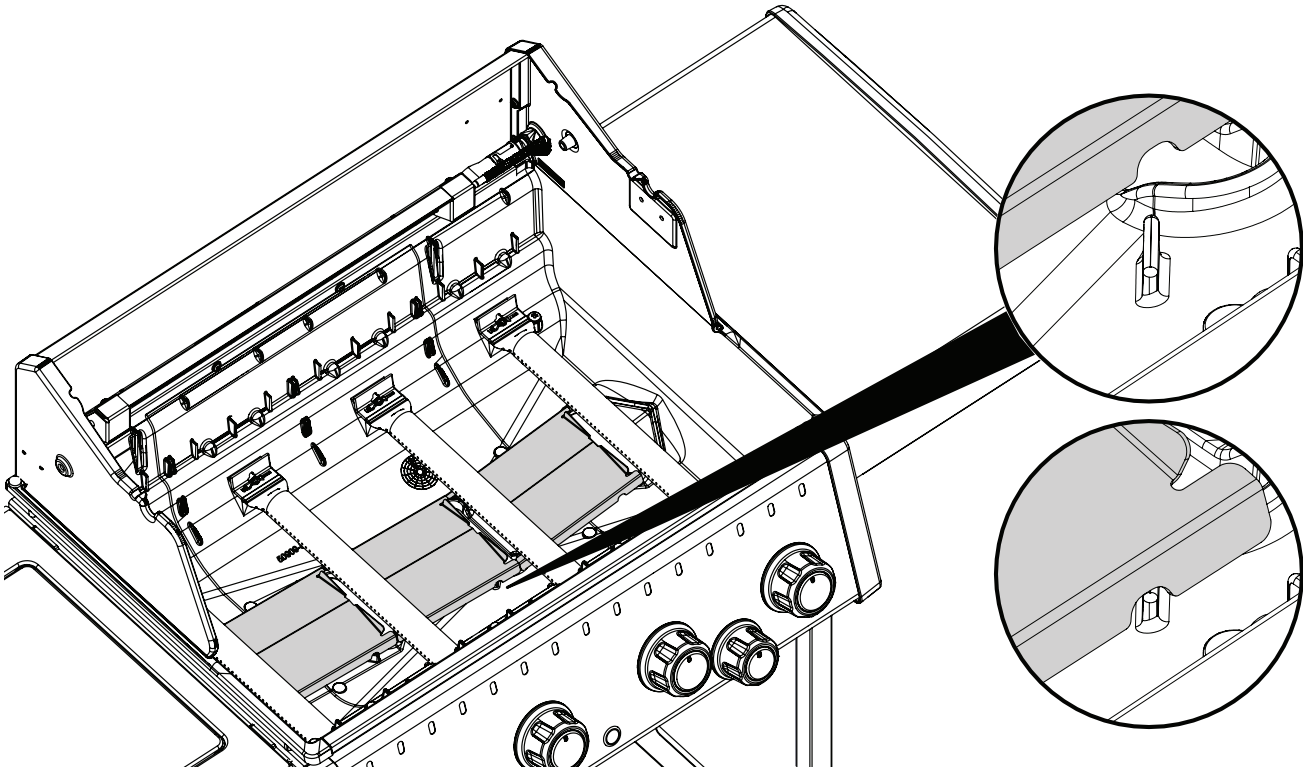
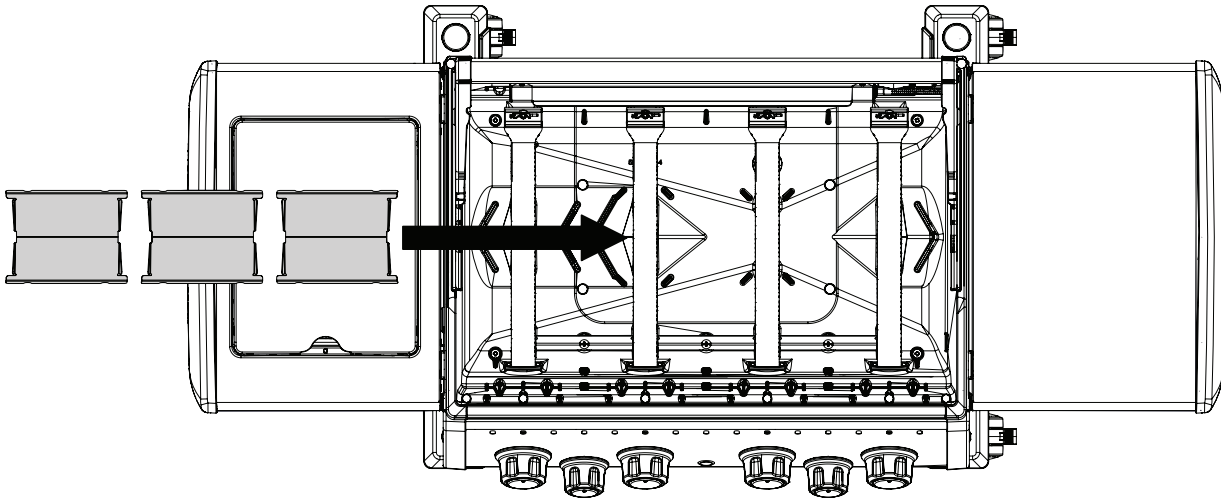
11



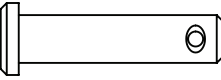
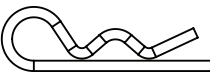
12

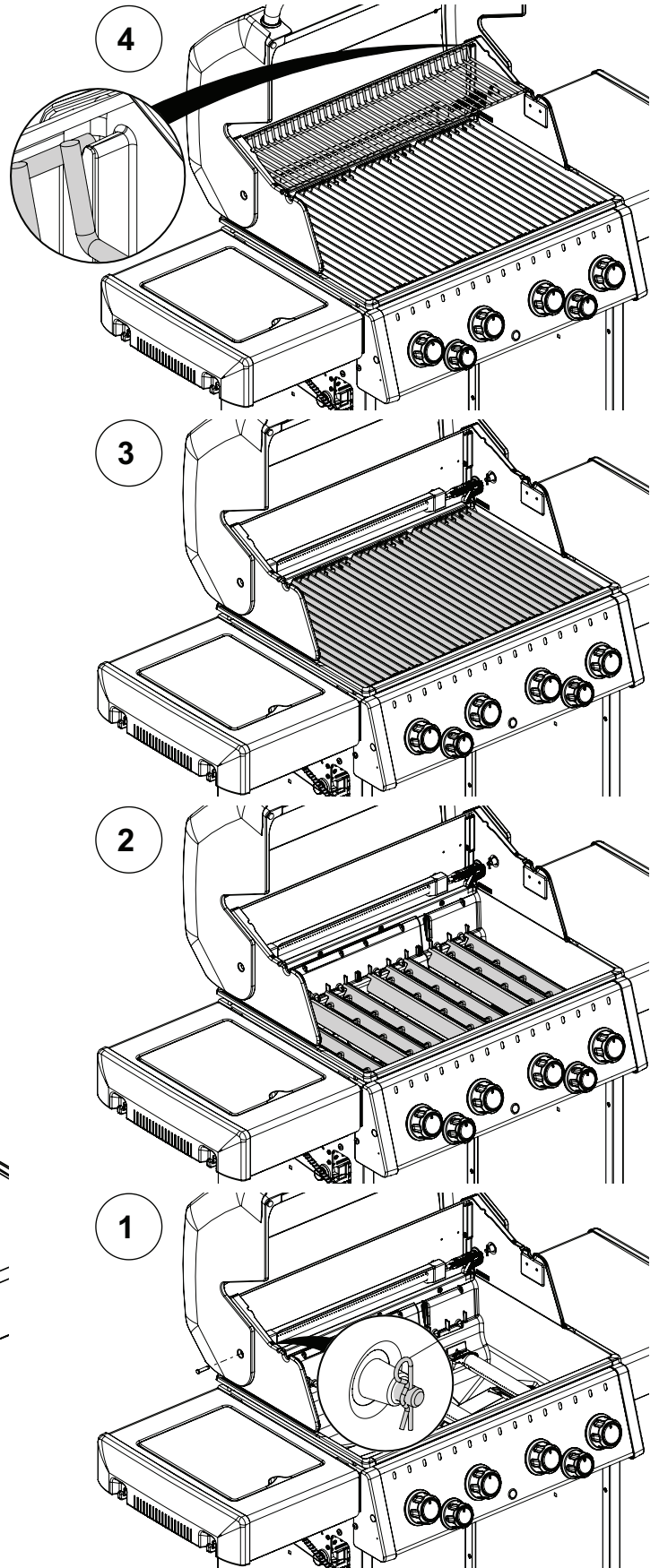
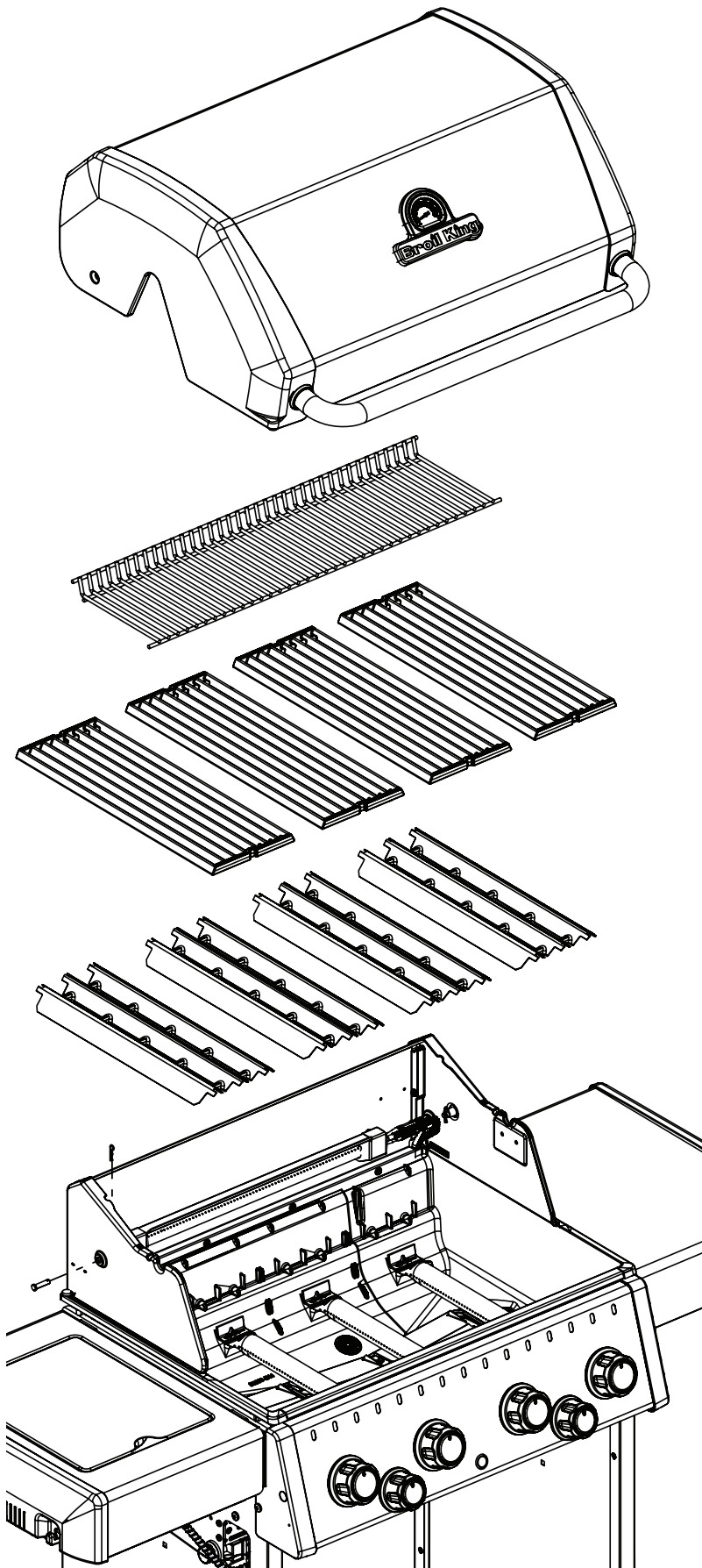


13



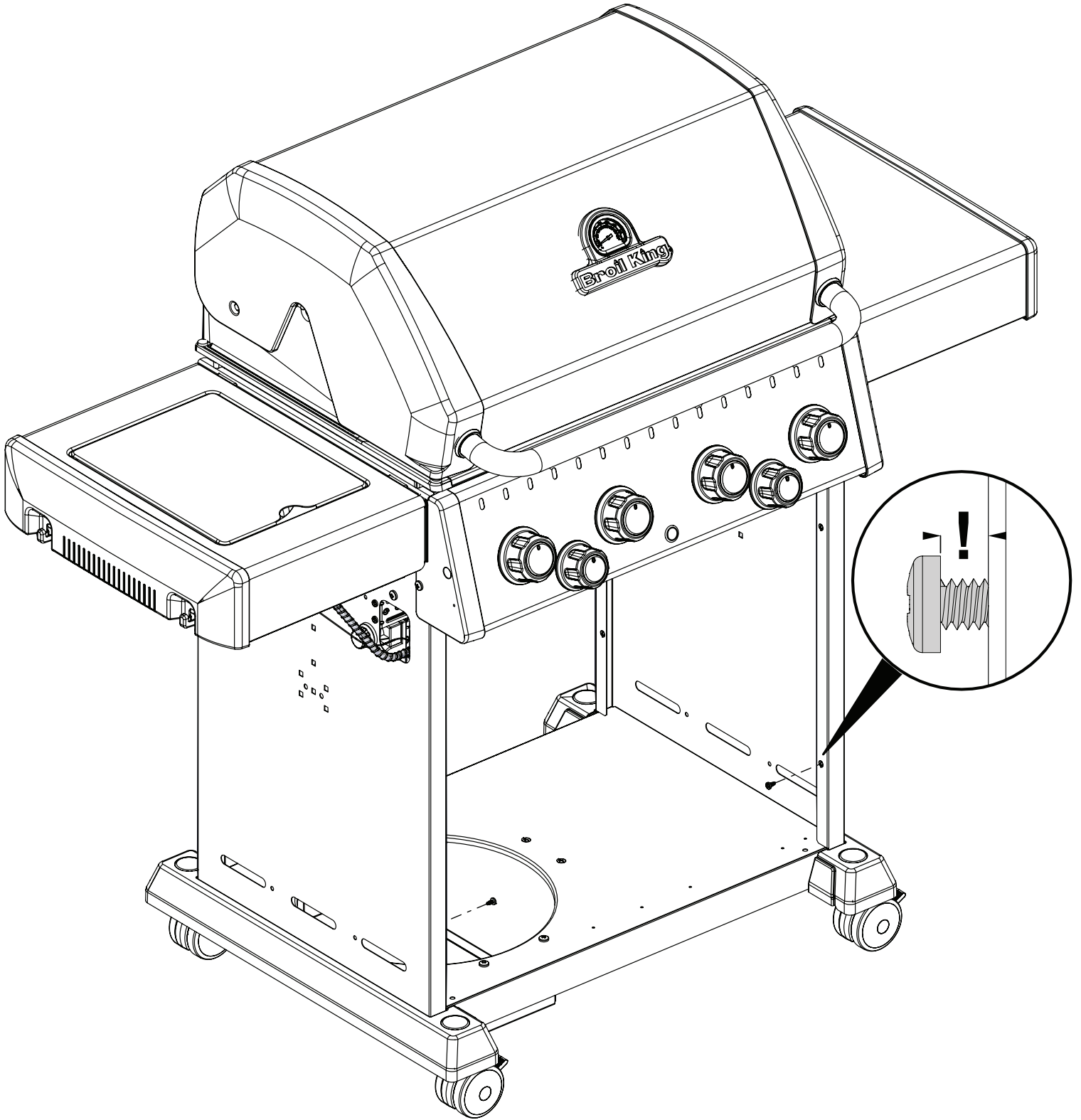
14

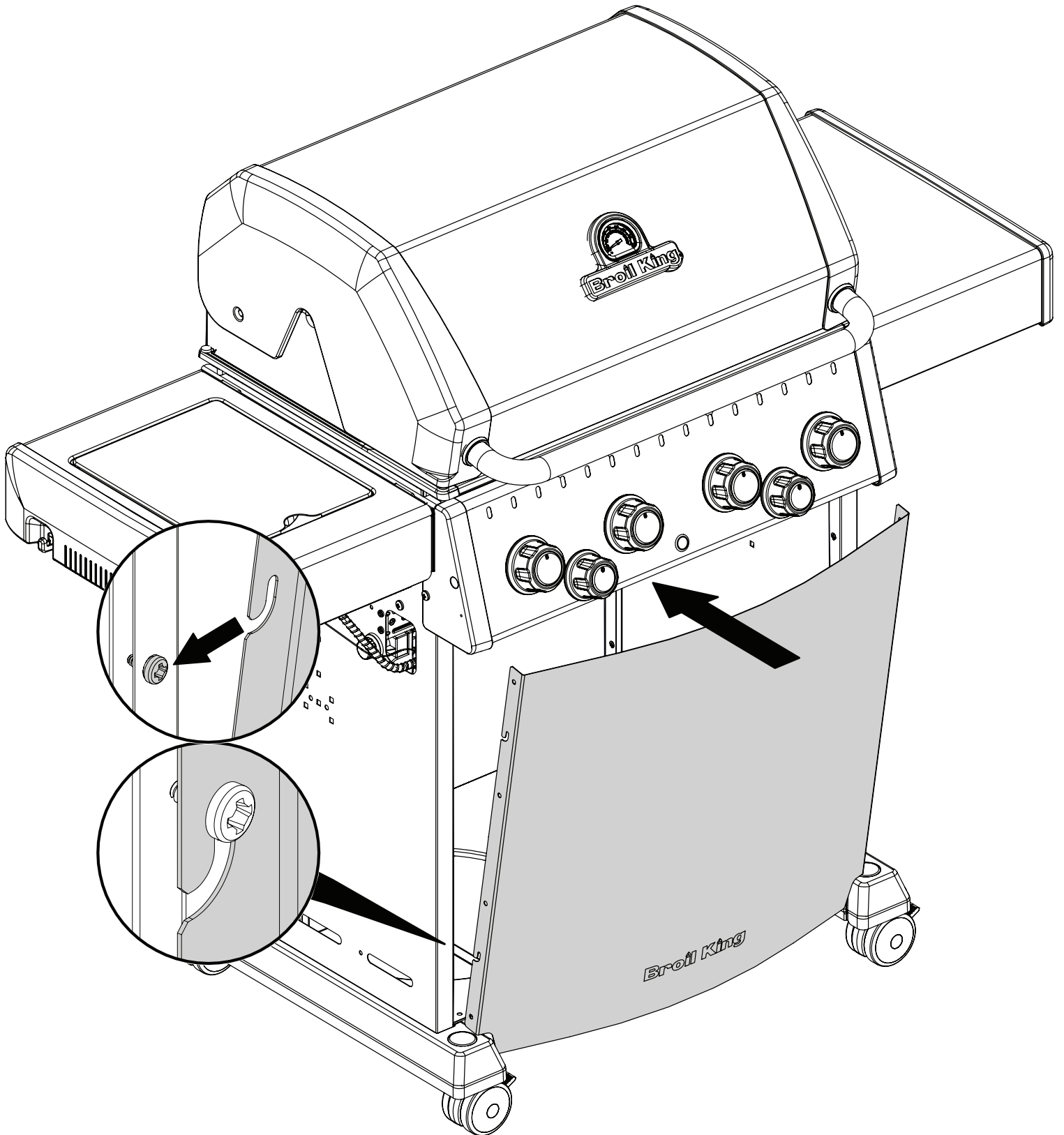
(2)  (2) 




15

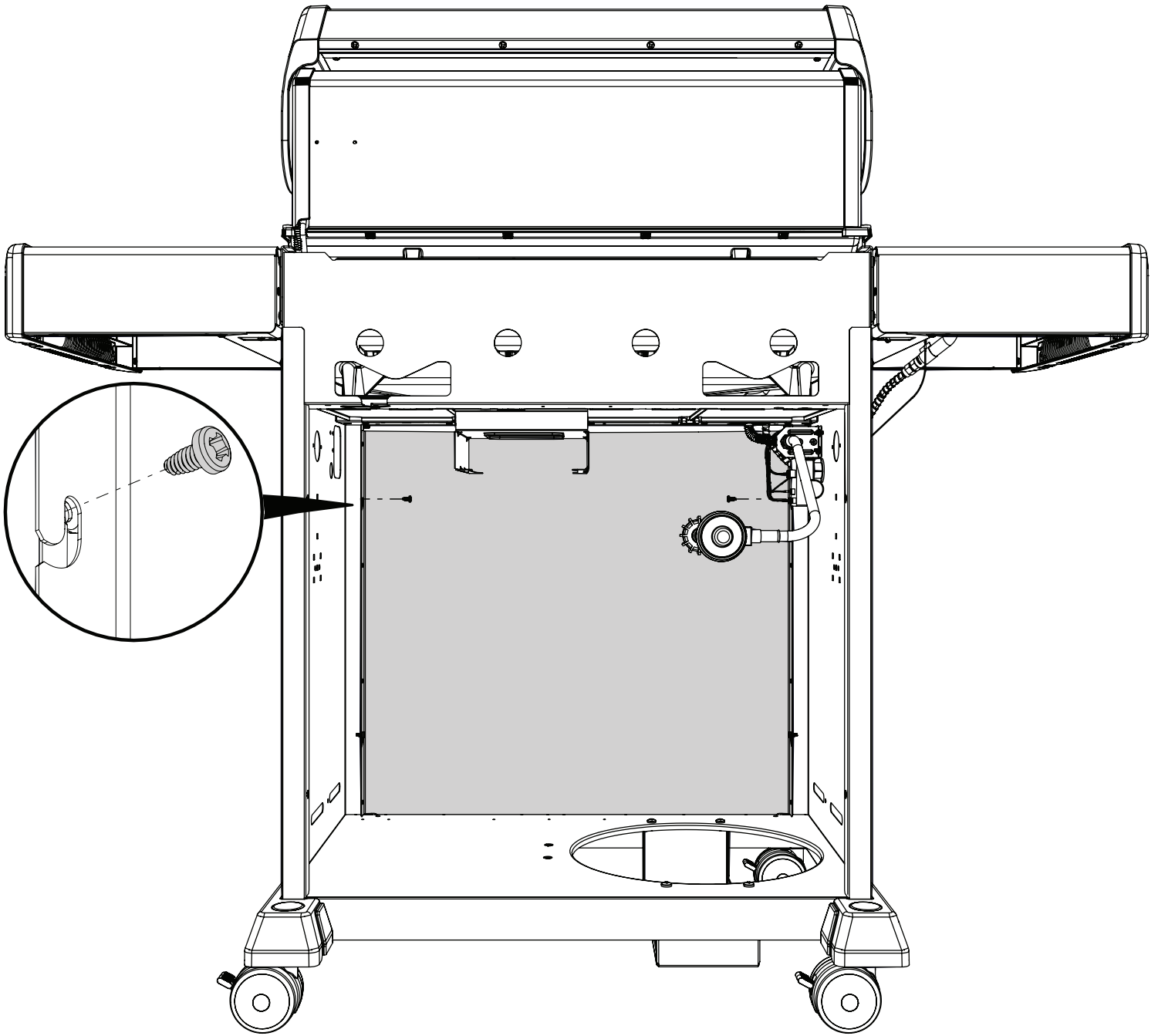
(2) 

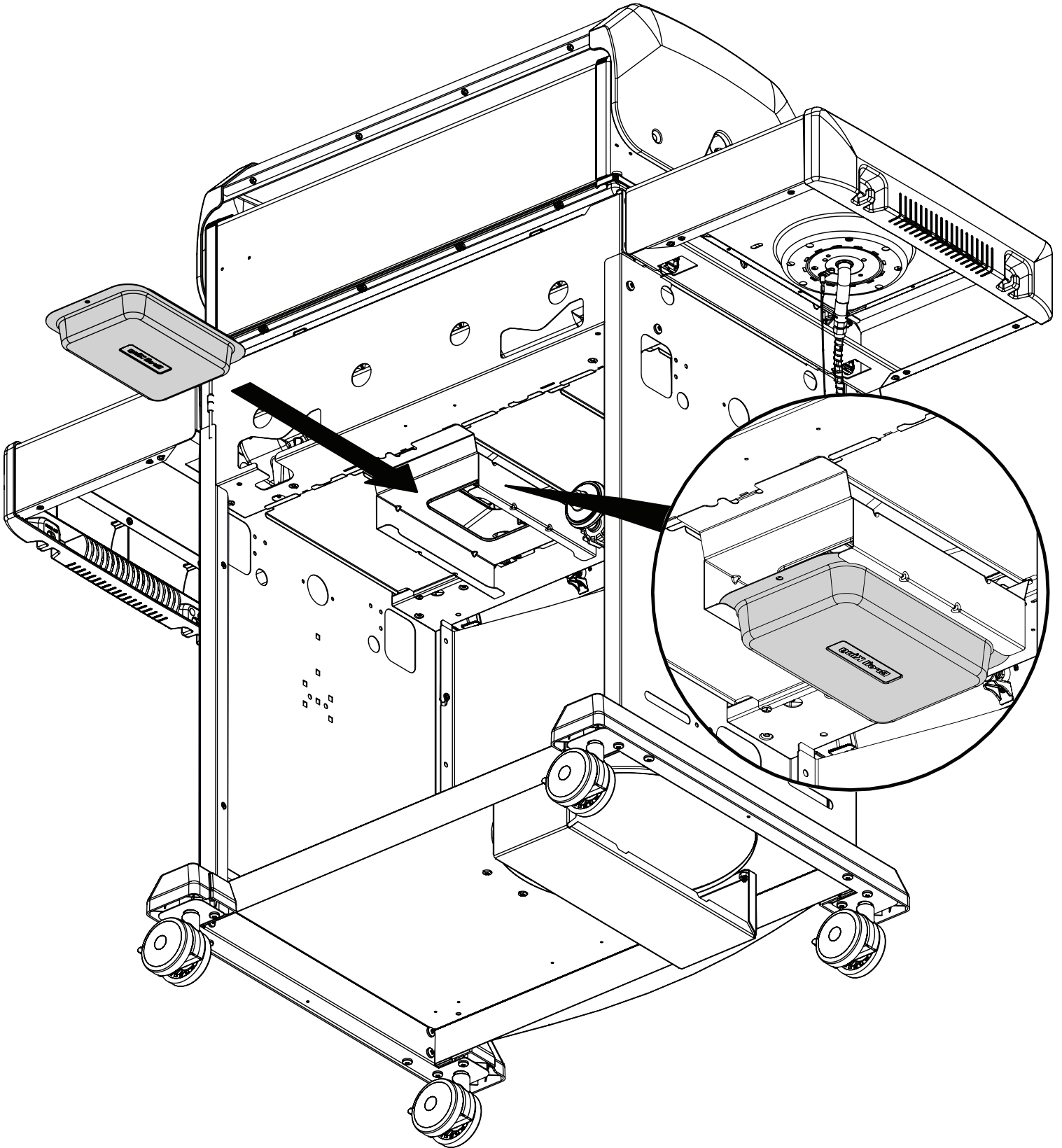




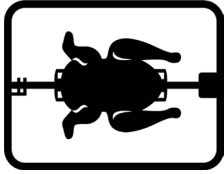
17

(2) 





19



(2)  (2) 

